



HOW TO MEASURE A NON-RECESS WINDOW OUTSIDE MOUNT FIXING



A simple measuring guide from British Shutters

www.britishshutters.co.uk

Before you start you will need:

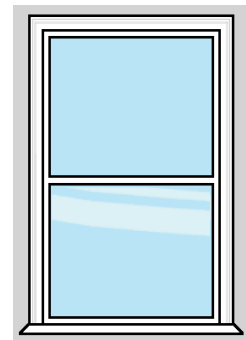
- A good quality steel tape measure
- A spirit level
- Paper and pen
- To print out your chosen frame templates (at the end of this guide)

Tips!

1. Note down your sizes.
2. Go have a break, then come back to double check your sizes before you place your order.
3. You may wish to upload a clear photo of your window with your order. This helps our team have a full understanding of your needs.

What is a Non-Recess window?

A Non-Recess window is not set back from the interior wall, for example a traditional Sash window. If there is no recess then you must choose an **Outside Mount** Frame. The frame can be mounted onto window frame, architrave or the surrounding walls.



Why should I order an Outside-Mount Frame?

Outside Mount Frames are supplied with pre-drilled fixing holes. Holes are pre-drilled on the **OUTSIDE** of the frame. This means screws will go directly through the frame allowing the shutter to be mounted onto the window or wall. The Vintage L frame needs a flat window surface or wall onto which it can be mounted. Our Fauxwood L frame is supplied with a cover strip and pre drilled holes can be requested.

NOTE: Our classic frames are supplied without pre-drilled holes or cover strips and our Waterproof UPVC Vintage L 50mm will come without a cover strip.



Design Tip: Use your window for your starting point. Think about how you'd like the shutters to look but also how you'll use them. If you want to fold the panels open, do you have space?

How many Frame Sides?

Full Height & Tier on Tier Shutters for Windows

Frame Sides: All

Recommended for maximum sturdiness

Cafe Style Shutters for Windows

Frame Sides: Left Right Bottom

Not advisable with the Z Frame With Sill Cut option

Full Height Shutters for Doors

Frame Sides: Left Right Top

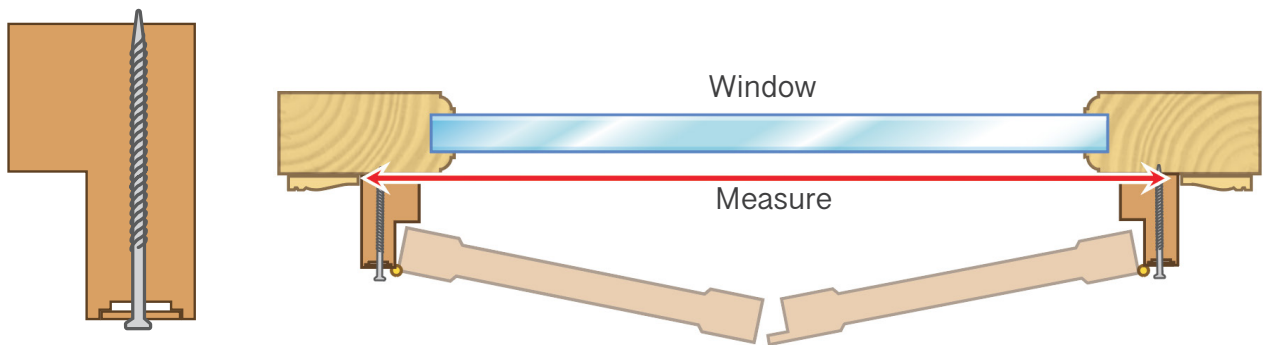
Removes trip hazard

Important to Note:

If your windows opens **inwards** contact us before measuring. You may need an alternative fitting for your window.

Step 1: Choose Your Frame Position

Option 1 - Mounting onto the Window Frame or Architrave

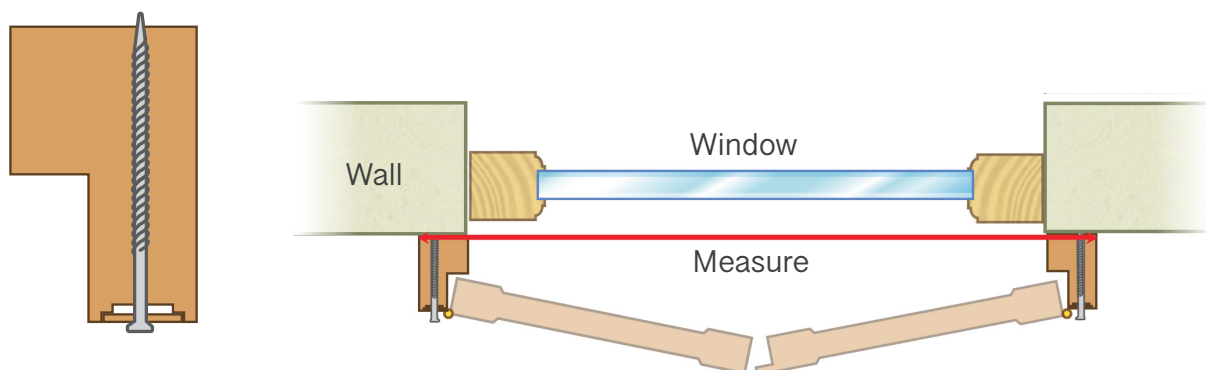


The Vintage L Frame can be mounted directly onto the window frame or architrave.

It should be fitted onto a flat surface, which can also accommodate the screw fixings. Please note that the outside mount L frames are 39mm or 42mm wide at the back, depending on the range you choose.

Important: If your window opens or tilts inwards, it may be obstructed by the shutter frame. If this applies to your window please contact us for advice before measuring.

Option 2 - Mounting onto the Surrounding Walls

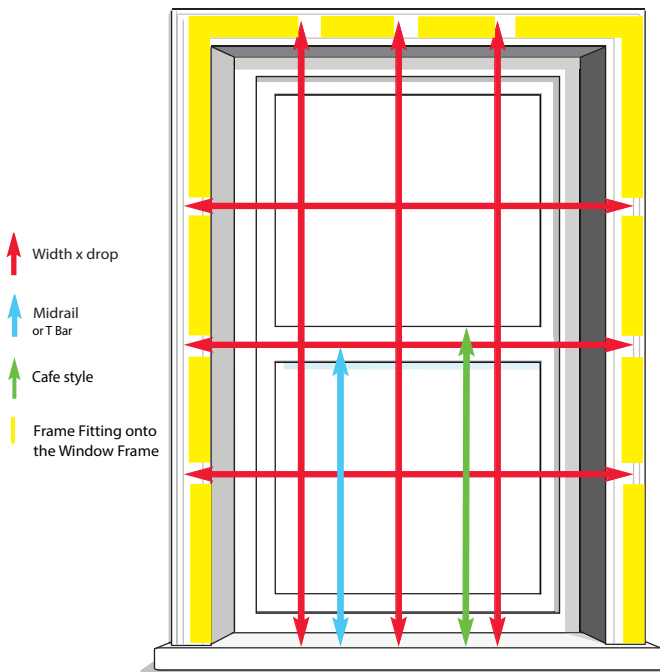


The Vintage L frame can also be fitted onto a surrounding wall. This is a good option if your window opens inwards or if there is not enough space on the window frame.

Important: Both the Vintage & Plain L frame are supplied with pre-drilled holes and cover strips to hide the screw heads on installation.

Step 2: Measure Your Window

Mounting onto the Window Frame or Architrave

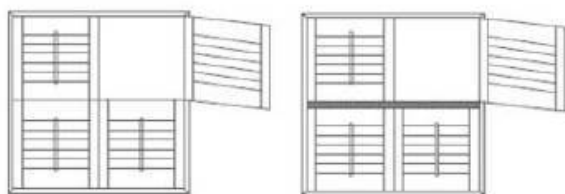


1. Measure the **Width** and **Height** in at least 3 different places. Remember to include the flat space required for the shutter frame, as highlighted in yellow.

Note the **smallest** dimensions you find.

If you plan to mount the frame on a wall beyond the window frame & window sill, remember to measure the full width & full height for where you'll fix the frame. Sizes submitted are inclusive of the frame sides you order.

2. To measure for a **Midrail** measure from the bottom up to the point you'd like the midrail to be centred*
3. To measure the height of **Cafe Style** shutters, measure from the bottom up to where you'd like the panels to finish.
4. To measure for the **Tier on Tier T-Bar position** (specified at Divide Point), measure from the bottom up to where you'd like the T-Bar to be centered. The T-Bar is a fixed support for the top tier panels.



No T-Bar

T-Bar

With some ranges you can opt **NOT** to have a T-Bar with Tier on Tier shutters. If you select "No" to a T-Bar, the hang of the panels will not be covered under warranty as they may drop due to lack of support. For Tier on Tier shutters without a T-Bar, measure from the bottom up to where you would like the panels to split.

* Please note manufacturing may need to move the midrail up or down from the dimensions you request to ensure that a 'whole' number of slats can fit in any given panel. If the midrail location is critical to your design, you must select "critical midrail" in our website configurator.

Step 3: Choose Your Slat Size & Frame Depth

Choosing the correct **depth** of frame is very important, it will ensure that your slats have clearance to tilt without fouling the window or any obstructions.

1. Decide which slat size you would like to order (64mm, 76mm, 89mm or 114mm)
2. Check how far any handles or other window furniture project beyond from the window frame.
3. Refer to the guides below and decide if you'll need a frame build out. There is a guide for **Wood** shutter frames and a guide for **Fauxwood** shutter frames.

Choosing a Frame Depth

Our Vintage L 'outside mount' frames are 70mm deep as standard, which will accommodate some slat size and handle combinations. Frame 'build outs' are available* to make your frame deeper if required to ensure the slats will tilt freely without being obstructed by window furniture. If you need a build out simply add a special note at step 4 when configuring your shutter online.

		Handle Projection					
		No Handles	10-20mm	20-30mm	30-40mm	40-50mm	50mm+
Slat Size	64mm	Vintage L 70mm Frame		Add 10mm Build Out	Add 20mm Build Out	Add 30mm Build Out	Contact Us
	76mm	Vintage L 70mm Frame	Add 10mm Build Out	Add 20mm Build Out	Add 30mm Build Out	Contact Us	
	89mm						
	114mm	Add 10mm Build Out	Add 20mm Build Out	Contact Us			

* Build outs are not available with Waterproof shutters.

Fauxwood Shutters

Frame build outs can be requested to make the 60mm L frame deeper if required. Build outs are available between 10mm - 50mm and are supplied separately and need to be attached during the installation.

		Handle Projection					
		No Handles	10-20mm	20-30mm	30-40mm	40-50mm	50mm+
Slat Size	64mm	L Frame (60mm)	Add 10mm Build out	Add 20mm Build out	Add 30mm Build out	Add 40mm Build out	Contact Us
	76mm	L Frame (60mm)	Add 20mm Build out	Add 30mm Build out	Add 40mm Build out	Add 50mm Build out	Contact Us
	89mm	L Frame (60mm)	Add 20mm Build out	Add 30mm Build out	Add 40mm Build out	Add 50mm Build out	Contact Us
	114mm	Add 10mm Build out	Add 40mm Build out	Add 50mm Build out	Add 50mm Build out	Contact Us	Contact Us

* Please note that this document is a guide only and C&C Tradeshutters cannot be held responsible for any mismeasurements.

Optional step: Including a T-post

If you require a T-post, you will need to let us know the measurements that are required. T-posts always look best when they are aligned with the vertical glazing sections on your window.

When specifying a T-post position you should always measure from the outside edge of the left frame side to the center of the intended T-post location. T-posts are always centered at the point you specify.

If using more than one T-post, these should also be measured from the outside of the left frame side to center of the intended T-post location as standard T posts are supplied 50mm deep (wood frames) & 47mm deep (Fauxwood & PV frames).



If you require a horizontal T-post, please contact the C&C Tradeshutters Custom Experience team for further information.

** Please note that this document is a guide only and C&C Tradeshutters cannot be held responsible for any mismeasurements.*

Lastly - what frame size should I order?

We offer a comprehensive range of frame styles and frame depths. The guide below confirms the minimum required for each slat size. Choose the best available frame. Never choose a frame that is smaller than the clearance size required.

Frame build outs can also be ordered if frames are not deep enough for your requirements.

Minimum Frame Depth Required

Panel with 64mm Slat	Panel with 76mm Slat	Panel with 89mm Slat	Panel with 114mm Slat
46mm frame depth	52mm frame depth	59mm frame depth	71mm frame depth

Tip: When required, add on the depth of a protruding handle to find the total frame depth required. Example - A handle protrudes 30mm & slat being ordered is 64mm. Add $30 + 46 = 76$. Clearance required is 76mm so we suggest a 180mm deep frame.

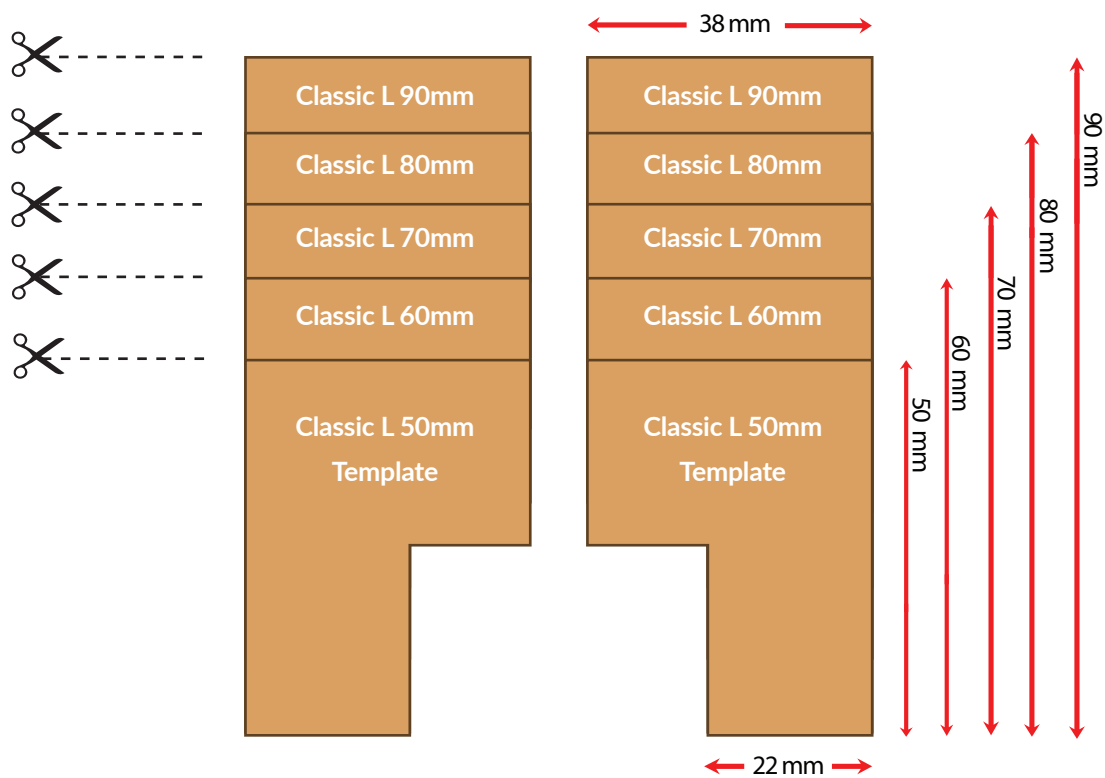
Frame Templates - Paulownia, Basswood, Hybrawood & Ash*

Once printed, please make sure that your templates are to scale. If not, you may need to adjust your printer settings and re-print.

* Limited frames are available for the ash range, please see the templates below for further information or contact the C&C Tradeshutters team.

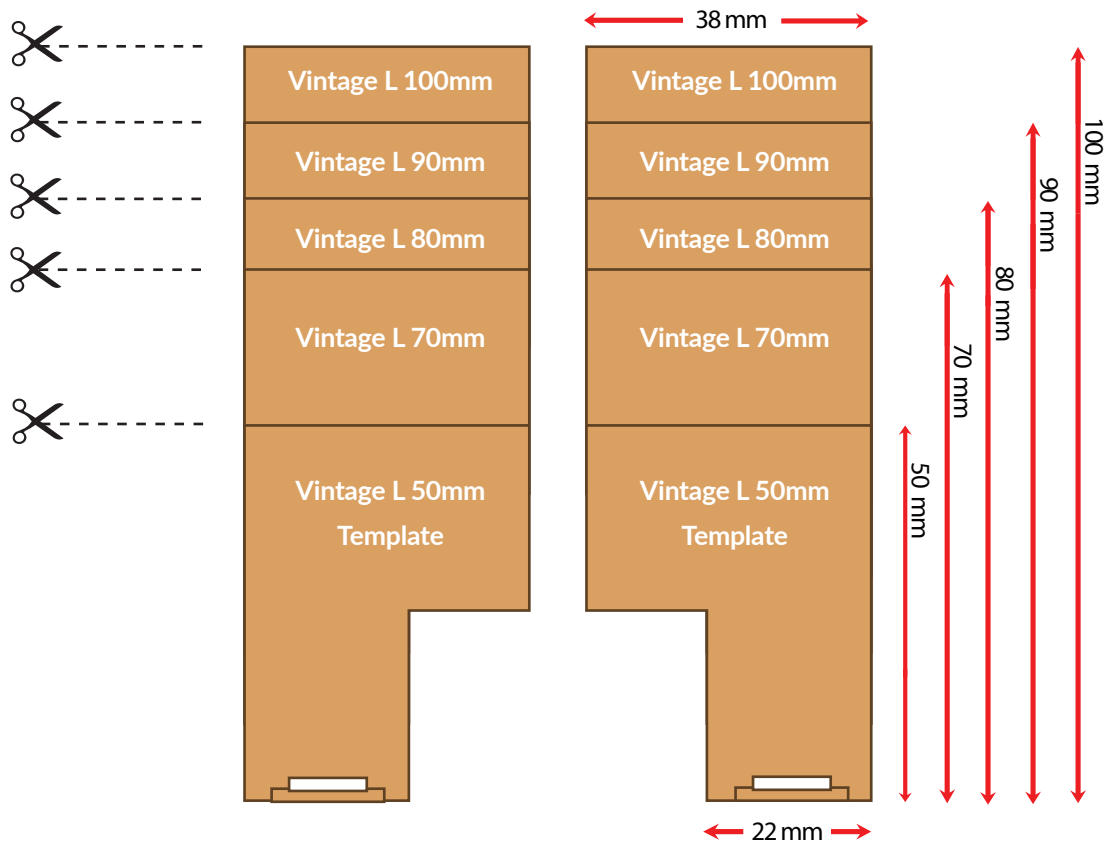
Classic L 50mm (No pre-drilled holes supplied)

Inside or Outside Mount



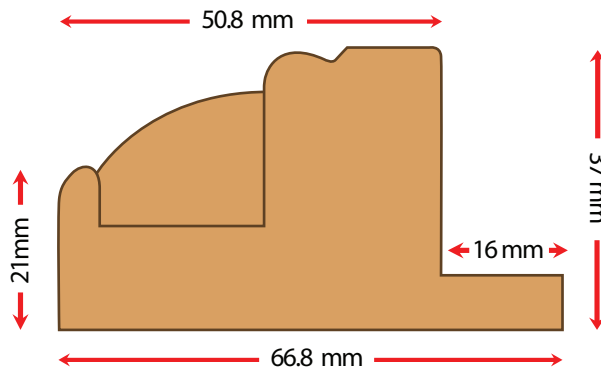
* In the Ash wood, the Classic L 50mm is the only size available. A build out can be applied.

Vintage L Frame Outside Mount



* In the Ash wood, the Vintage L 50mm is the only size available. A build out can be applied.

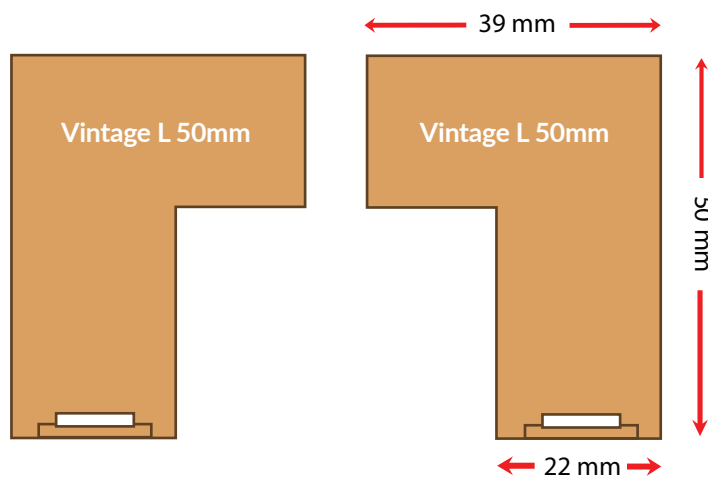
Camber Deco Frame



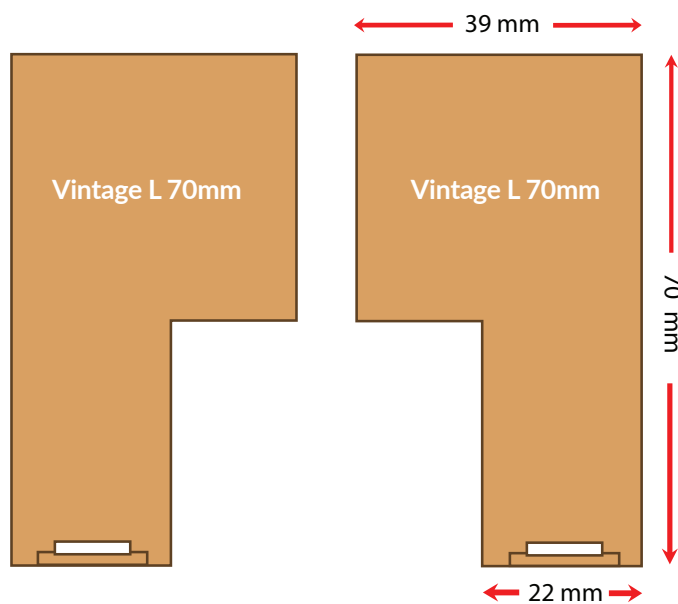
Frame Templates - Waterproof PVC

Once printed, please make sure that your templates are to scale. If not, you may need to adjust your printer settings and re-print.

PV Vintage L 50mm



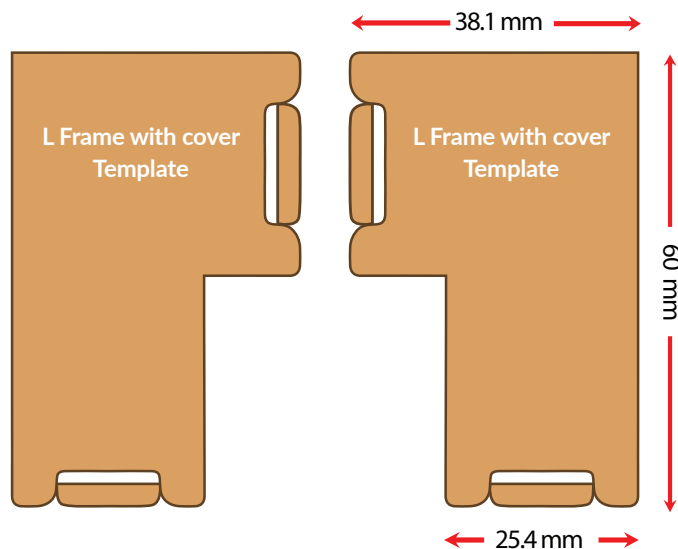
PV Vintage L 70mm



Frame Templates - Fauxwood

Once printed, please make sure that your templates are to scale. If not, you may need to adjust your printer settings and re-print.

L Frame with cover (IM) or (OM)



NOTE: Frame build-outs can be requested if required (between 10mm - 50mm). Build-outs are supplied loose for a customer to attach to the back of the frame.